

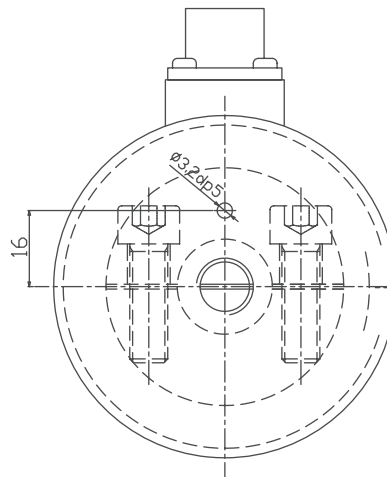
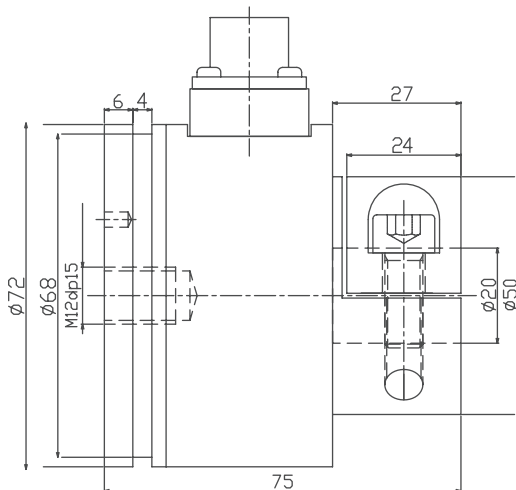
张力传感器 TENSION SENSOR WLT 张力传感器 WLT Tension Sensor



- Maximum capacity (E_{max}) 额定载荷 (kg):
5, 10, 25, 50, 100
- Be suitable for measuring the tension of plastic film and tape used for winding on the roller machinery, the object is including metal wire, electric wires, cable.

应用于张力测量，检测对象包括金属丝、电线、电缆，例如可以用于测量在机械引导滚筒上用来缠绕用的张力塑料膜或胶带的张力

外形尺寸 Dimensions(in mm)



接线图 Wiring code



技术参数 Specifications

额定载荷 Rated Load	kg	5, 10, 25, 50, 100
额定输出 Rated Output	mV/V	1
零点平衡 Zero Balance	%R.O.	±1
综合误差 Comprehensive Error	%R.O.	±0.3
推荐激励电压 Recommended excitation voltage	VDC	5-12 / 15(max)
输入 / 输出阻抗 Input / Output impedance	Ω	380±10 / 350±5
绝缘阻抗 Insulation resistance	MΩ	≥5000 (50VDC)
安全 / 极限过载 Safe / Ultimate overload	%R.C.	150 / 300
弹性元件材料 Material		Alloy Steel 合金钢
防护等级 Degree of protection		IP66
电缆线长度 The length of the cable	m	3