

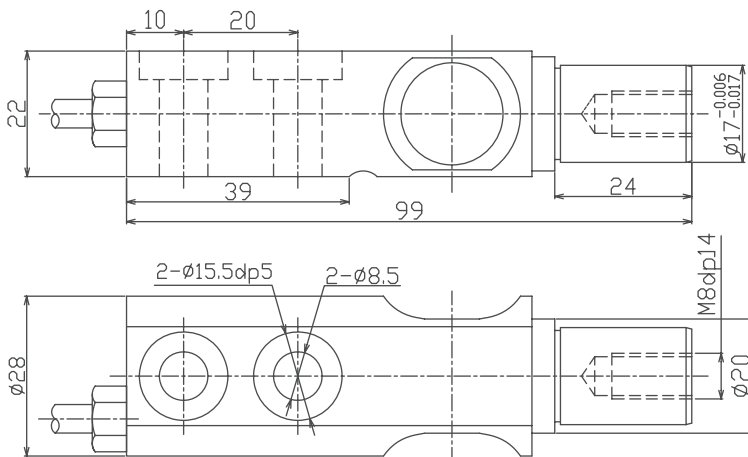
## 张力传感器 TENSION SENSOR SK 张力传感器 SK Tension Sensor



- Maximum capacity (E<sub>max</sub>) 额定载荷 (kg):  
200, 300, 500
- Be suitable for on-line tension measurement such as metal wire, cable and similar products; be widely used for the curly control equipment and production line of printing, composite, coating, cutting, paper-making, rubber, textile, electric wires, cable and film.

应用于在线测量如金属丝，电缆及类似的过程材料的张力，普遍被应用于印刷、复合、涂布、剪切、造纸、橡胶、纺织、电线电缆及胶片等卷取控制设备和生产线上

### 外形尺寸 Dimensions(in mm)



### 接线图 Wiring code



### 技术参数 Specifications

额定载荷 Rated Load	kg	200, 300, 500
额定输出 Rated Output	mV/V	1.5
零点平衡 Zero Balance	%R.O.	±1
综合误差 Comprehensive Error	%R.O.	±0.3
温度对灵敏度影响 Temp. effect/10°C on output	%R.O./10°C	±0.03
温度对零点影响 Temp. effect/10°C on zero	%R.O./10°C	±0.03
推荐激励电压 Recommended excitation voltage	VDC	5-12 / 15(max)
输入 / 输出阻抗 Input / Output impedance	Ω	380±10 / 350±5
绝缘阻抗 Insulation resistance	MΩ	≥5000 (50VDC)
安全 / 极限过载 Safe / Ultimate overload	%R.C.	150 / 300
弹性元件材料 Material		Alloy Steel 合金钢
防护等级 Degree of protection		IP67
电缆线长度 The length of the cable	m	3