

称重传感器 LOAD CELL

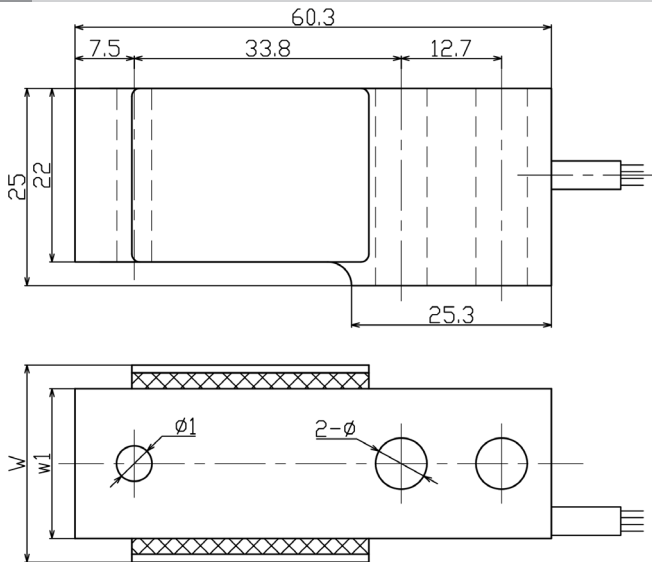
MBB 称重传感器

MBB Load Cell



- Maximum capacity (E_{max}) 额定载荷 (kg):
20, 50, 100
- Be suitable for the fields of Low profile platform scales, packing machine, quantitative feeding machine, filling machine, belt scales, hopper scales, and weighing control of ingredients in chemical, food and pharmaceuticals industry.
适用于低台面台秤、包装机、定量给料机、罐装机、皮带秤、料斗秤和化学、医药、食品等行业的配料称重控制

外形尺寸 Dimensions (in mm)



接线图 Wiring code



量程 Capacity (kg)	Ø	Ø1	W1	W2
20,50	4.5	4.5	12.7	18.7
100	6.5	4.5	19	25

技术参数 Specifications

额定载荷 Rated Load	kg	20, 50, 100
额定输出 Rated Output	mV/V	3.0
零点平衡 Zero Balance	%R.O.	±1
综合误差 Comprehensive Error	%R.O.	±0.03
蠕变 (30 分钟) Creep after 30 minutes	%R.O.	±0.03
推荐激励电压 Recommended excitation voltage	VDC	5-12/15(max)
输入阻抗 Input impedance	Ω	380±10
输出阻抗 Output impedance	Ω	350±5
绝缘阻抗 Insulation resistance	MΩ	≥5000 (50VDC)
安全过载 Safe overload	%R.C.	150
极限过载 Ultimate overload	%R.C.	300
弹性元件材料 Material		Alloy Steel 合金钢
防护等级 Degree of protection		IP66
电缆线长度 The length of the cable	m	2