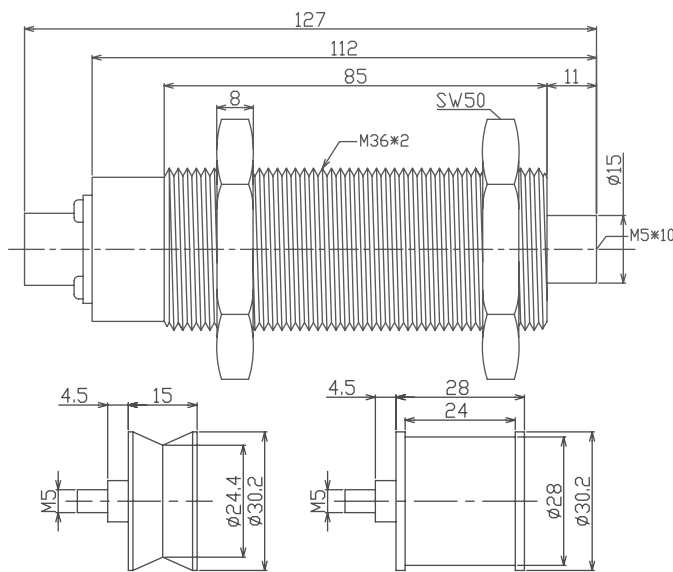


张力传感器 TENSION SENSOR LT 张力传感器 LT Tension Sensor



- Maximum capacity (E_{max}) 额定载荷 (kg):
0.2, 0.5, 1, 2
- Be suitable for measuring the tension of uncoiling, coiling and moving, the object is including electric wires, metal wire, glass fiber, nylon, rubber and composite materials
应用于放卷、收卷和行进间张力检测，检测对象包括如电线、金属丝、玻璃纤维、尼龙、橡胶及复合材料等

外形尺寸 Dimensions(in mm)



接线图 Wiring code



技术参数 Specifications

额定载荷 Rated Load	kg	0.2, 0.5, 1, 2
额定输出 Rated Output	mV/V	1
零点平衡 Zero Balance	%R.O.	±1
综合误差 Comprehensive Error	%R.O.	±0.3
推荐激励电压 Recommended excitation voltage	VDC	5-12 / 15(max)
输入 / 输出阻抗 Input / Output impedance	Ω	380±10 / 350±5
绝缘阻抗 Insulation resistance	MΩ	≥5000 (50VDC)
安全 / 极限过载 Safe / Ultimate overload	%R.C.	150 / 300
弹性元件材料 Material		Stainless Steel 不锈钢
防护等级 Degree of protection		IP65
电缆线长度 The length of the cable	m	3