

称重传感器 LOAD CELL

LCF500 称重传感器

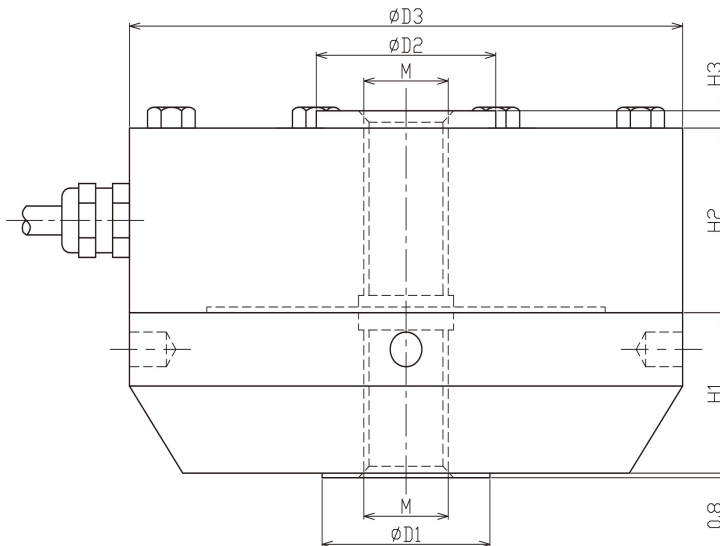
LCF500 Load Cell



- Maximum capacity (Emax) 额定载荷 (t):
0.25, 0.5, 1, 2.5, 5, 10, 25, 50
- Be suitable for the fields of Truck scales, Rail scales, Ground scales, Heavy capacity Platform scales, Hopper and Tank Weighing, Testing Machines.

适用于汽车衡、轨道衡、地上衡、大量程平台秤、料斗秤和料罐秤、材料实验机

外形尺寸 Dimensions(in mm)



接线图 Wiring code



量程 Capacity (t)	H1	H2	H3	ØD1	ØD2	ØD3	M
0.25, 0.5, 1, 2.5, 5	28.6	31.7	3.1	32	34	105	M16
10,25	44.5	41.4	3.1	57	67	154	M33*2
50	50.8	57.2	6.3	76	96	203	M42*2

技术参数 Specifications

额定载荷 Rated Load	t	0.25, 0.5, 1, 2.5, 5, 10, 25, 50
额定输出 Rated Output	mV/V	2.0(0.25t-1t),3.0(2.5t-50t)
零点平衡 Zero Balance	%R.O.	±1
综合误差 Comprehensive Error	%R.O.	±0.03
蠕变 (30 分钟) Creep after 30 minutes	%R.O.	±0.03
推荐激励电压 Recommended excitation voltage	VDC	5-12/15(max)
输入阻抗 Input impedance	Ω	770±10
输出阻抗 Output impedance	Ω	700±5
绝缘阻抗 Insulation resistance	MΩ	≥5000 (50VDC)
安全过载 Safe overload	%R.C.	150
极限过载 Ultimate overload	%R.C.	300
弹性元件材料 Material	Aluminum 铝合金 (0.25t-1t) / Alloy Steel 合金钢 (2.5t-50t)	
防护等级 Degree of protection	IP66	