

称重传感器 LOAD CELL

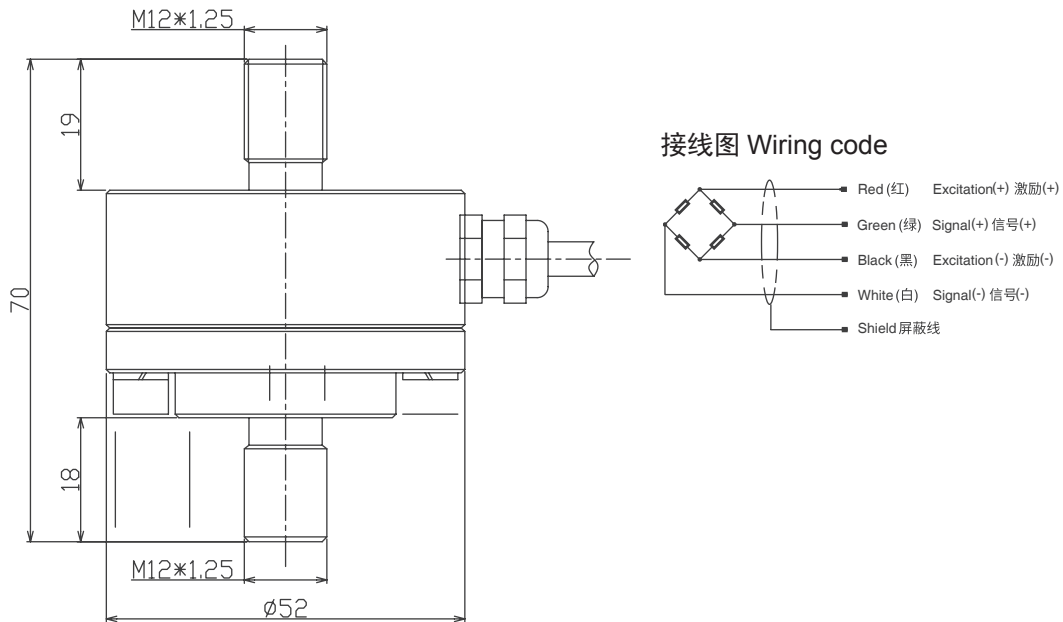
LCD810 称重传感器

LCD810 Load Cell



- Maximum capacity (E_{max}) 额定载荷 (t):
0.1, 0.2, 0.5, 1, 2
- Be suitable for a wide range of applications including testing or weighing systems.
适用于力的测量及控制, 实验机等测力装置

外形尺寸 Dimensions(in mm)



技术参数 Specifications

额定载荷 Rated Load	kg	100, 200, 500
	t	1, 2
额定输出 Rated Output	mV/V	1.8~2.0
零点平衡 Zero Balance	%R.O.	±1
综合误差 Comprehensive Error	%R.O.	±0.2
蠕变 (30 分钟) Creep after 30 minutes	%R.O.	±0.1
推荐激励电压 Recommended excitation voltage	VDC	5-12 /15(max)
输入阻抗 Input impedance	Ω	770±10
输出阻抗 Output impedance	Ω	700±5
绝缘阻抗 Insulation resistance	MΩ	≥5000 (50VDC)
安全过载 Safe overload	%R.C.	150
极限过载 Ultimate overload	%R.C.	300
弹性元件材料 Material		Stainless Steel 不锈钢
防护等级 Degree of protection		IP66