

称重传感器 LOAD CELL

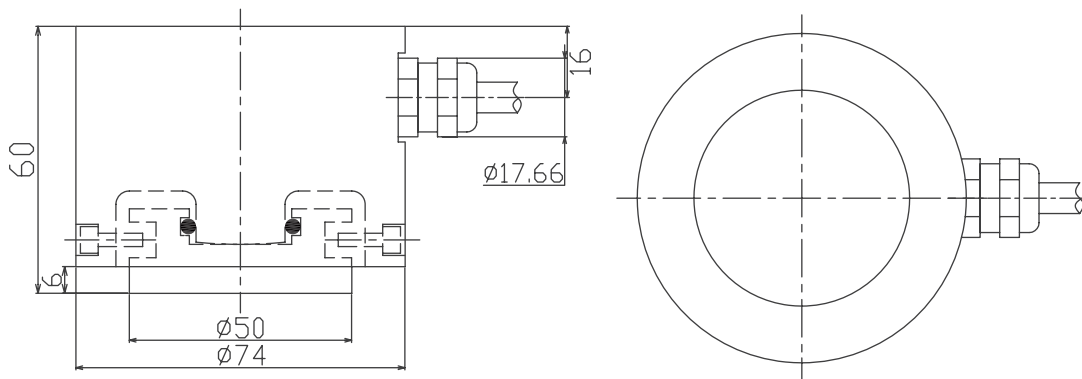
LCD801 称重传感器

LCD801 Load Cell



- Maximum capacity (E<sub>max</sub>) 额定载荷 (t):  
0.1, 0.3, 0.6, 1.2, 2, 5
- Be suitable for the fields of level control for liquid and bulk materials.  
适用于料位的测力及控制

外形尺寸 Dimensions(in mm)



接线图 Wiring code



技术参数 Specifications

额定载荷 Rated Load	kg	100, 300, 600
	t	1.2, 2, 5
额定输出 Rated Output	mA	4-20
零点平衡 Zero Balance	%R.O.	±1
综合误差 Comprehensive Error	%R.O.	±0.3
蠕变 (30 分钟) Creep after 30 minutes	%R.O.	±0.05
推荐激励电压 Recommended excitation voltage	VDC	24
绝缘阻抗 Insulation resistance	MΩ	≥5000 (50VDC)
安全过载 Safe overload	%R.C.	150
极限过载 Ultimate overload	%R.C.	300
弹性元件材料 Material		Alloy Steel 合金钢 or Stainless Steel 不锈钢
防护等级 Degree of protection		IP67/IP68